

DPX-17x

AWS/2300 | Diplexer | Single and Dual Units | Indoor / Outdoor

- Usable at the BTS end or at the antenna end
- Built in lightning protection on all ports
- Available as single or dual unit, various DC/AISG bypass arrangements
- Suitable for indoor and outdoor applications
- Wall or mast mounting



Ordering Options	Single Unit		Twin Unit	
	7/16-DIN Connectors	4.3/10 Connectors	7/16-DIN Connectors	4.3/10 Connectors
When ordering, replace "x" in the model number with one of the options listed below.				
With DC/AISG Auto-Sense	DPX-17A	DPX-17A-43F	DPX-17AA	DPX-17AA-43F
No DC/AISG bypass	DPX-170	DPX-170-43F	DPX-171	DPX-171-43F
Full DC/AISG bypass	DPX-172	DPX-172-43F	DPX-173	DPX-173-43F
DC/AISG bypass from common to High Band port only	DPX-174	DPX-174-43F	DPX-175	DPX-175-43F
DC/AISG bypass from common to Low Band port only	DPX-176	DPX-176-43F	DPX-177	DPX-177-43F

Electrical Characteristics		
Low Band (1800/2100)		
Frequency Band	1710-2170 MHz	
Insertion Loss	Typical	0.15 dB
	Maximum	0.2 dB
Return Loss	Typical	20 dB
	Minimum	18 dB
Rejection High Band (2300)	50 dB	
Continuous Average Power	250 W	
Intermodulation, 2x43 dBm TX Carrier	-116 dBm	
High Band (2300)		
Frequency Band	2300-2400 MHz	
Insertion Loss	Typical	0.15 dB
	Maximum	0.2 dB
Return Loss	Typical	20 dB
	Minimum	18 dB
Rejection Low Band (1800/2100)	50 dB	
Continuous Average Power	250 W	
Intermodulation, 2x43 dBm TX Carrier	-116 dBm	
General Characteristics		
DC Bypass	3 A	
AISG pass	Yes	
Lightning Protection	3 kA 10/350 μ s, 10 kA 8/20 μ s	
Environmental Characteristics		
Operating Temperature Range	-40° to +65° C (-40° to +149° F)	
Operation	ETS 300 019-1-4 Class 4.1E	
Storage	ETS 300 019-1-1 Class 1.2	
Ingress Protection	IP67	

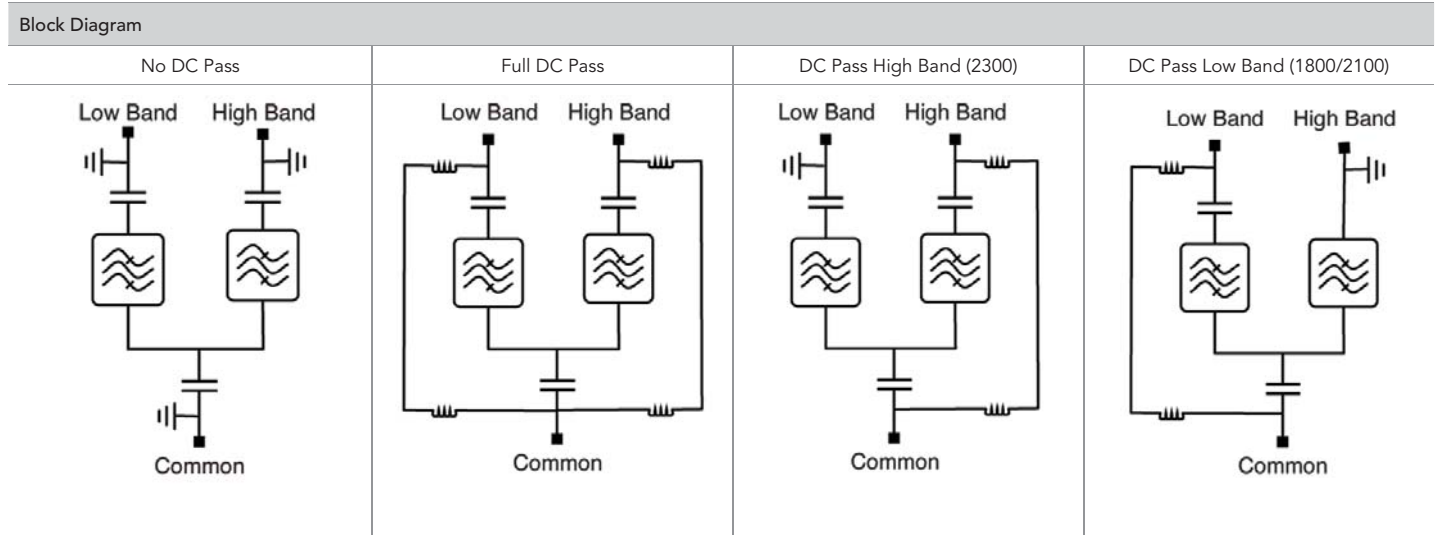
Quoted performance parameters are provided to offer typical or range values only and may vary as a result of normal manufacturing and operational conditions. Extreme operational conditions and/or stress on structural supports is beyond our control. Such conditions may result in damage to this product. Improvements to product may be made without notice.

DPX-17x

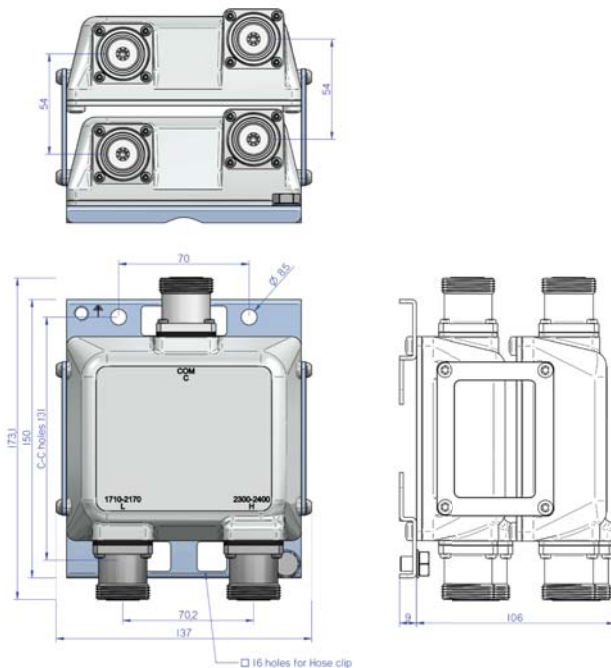
AWS/2300 | Diplexer | Single and Dual Units | Indoor / Outdoor

Mechanical Characteristics		
Dimensions - Length x Width x Depth (excludes connectors)	150 x 137 x 52.5 mm	5.4 x 5.9 x 2.1 in
Gross Weight	< 2.0 kg	4.4 lbs
Connectors (number, type)	3 Connectors / See Ordering Options	
Color	NCS 1502-R, Grey	
Mounting	Hose clamps or wall mount (unit is supplied with two metal clamps)	

Dual unit is mounted on a single bracket for hose clamp or wall mount.



Dimensions (DPX-175)



Quoted performance parameters are provided to offer typical or range values only and may vary as a result of normal manufacturing and operational conditions. Extreme operational conditions and/or stress on structural supports is beyond our control. Such conditions may result in damage to this product. Improvements to product may be made without notice.