

## DPX-26x

Diplexer | AWS/PCS | Single and Twin Units | Indoor / Outdoor

- Combines the AWS and PCS bands into a single output
- Usable at the BTS or antenna end
- Built in lightning protection on all ports
- Available as single or twin unit, with various DC/AISG bypass configurations
- Suitable for indoor or outdoor applications
- Pole or wall mounting

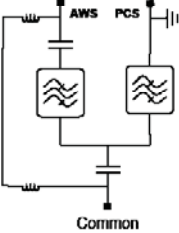
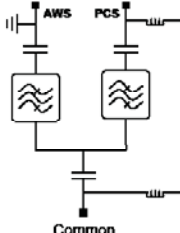
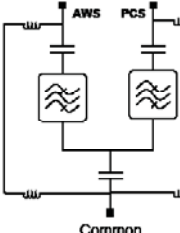
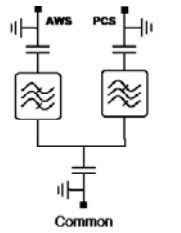


Ordering Options	Single Unit		Twin Unit	
	7/16-DIN Female Connectors	4.3/10 Female Connectors	7/16-DIN Female Connectors	4.3/10 Female Connectors
When ordering replace "x" with correct option for bypass configuration and single or twin unit.				
With Auto-Sense	DPX-26A	DPX-26A-43F	DPX-26AA	DPX-26AA-43F
DC/AISG bypass AWS low band	DPX-264	DPX-264-43F	DPX-265	DPX-265-43F
DC/AISG bypass PCS high band	DPX-266	DPX-266-43F	DPX-267	DPX-267-43F
Full DC/AISG bypass	DPX-262	DPX-262-43F	DPX-263	DPX-263-43F
No DC/AISG bypass (all ports DC grounded)	DPX-260	DPX-260-43F	DPX-261	DPX-261-43F
<b>Electrical Characteristics</b>				
<b>AWS (Low Band)</b>				
Frequency Band	1695-1780 / 2110-2200 MHz			
Insertion Loss	< 0.2 dB (typical); < 0.3 dB (maximum)			
Return Loss	> 20 dB			
Rejection, PCS	> 50 dB			
Continuous Average Power	100 W			
Intermodulation, 2x43 dBm TX Carrier	-117 dBm			
<b>PCS (High Band)</b>				
Frequency Band	1850-1990 MHz			
Insertion Loss	< 0.25 dB (typical); < 0.38 dB (maximum)			
Return Loss	> 20 dB			
Rejection, AWS	> 50 dB			
Continuous Average Power	100 W			
Intermodulation, 2x43 dBm TX Carrier	-117 dBm			
<b>General</b>				
DC Bypass Rating	3 A			
DC/AISG Pass	Yes, ports that do not bypass DC/AISG are DC grounded			
<b>Environmental</b>				
Temperature Range	-40° to +65° C		-40° to +149° F	
Ingress Protection	IP67			
Lightning Protection	5 kA 8/20 μs			
Operation Compliance	ETS 300 019-1-4 Class 4.1E			
Storage Compliance	ETS 300 019-1-1 Class 1.2			
<b>Mechanical Characteristics</b>				
Finish	Light Grey (NCS 1502-R)			
Connectors	See Ordering Options			
Dimensions - Single Unit (H x W x D)	135 x 140 x 50 mm		5.3 x 5.5 x 1.9 in	
Weight - Single Unit	< 2.0 kg		< 4.4 lbs	
<b>Mounting Options</b>				
	<b>Description</b>		<b>Fits Pipe Diameter</b>	
Pole / Wall Bracket	Two metal clamps for pole mount included		45-115 mm	1.8-4.5 in

Quoted performance parameters are provided to offer typical or range values only and may vary as a result of normal manufacturing and operational conditions. Extreme operational conditions and/or stress on structural supports is beyond our control. Such conditions may result in damage to this product. Improvements to product may be made without notice.

## DPX-26x

Diplexer | AWS/PCS | Single and Twin Units | Indoor / Outdoor

Electrical Block Diagrams			
DC/AISG Bypass Low Band	DC/AISG Bypass High Band	Full DC/AISG Bypass	No DC/AISG Bypass
			

Quoted performance parameters are provided to offer typical or range values only and may vary as a result of normal manufacturing and operational conditions. Extreme operational conditions and/or stress on structural supports is beyond our control. Such conditions may result in damage to this product. Improvements to product may be made without notice.