

DPX-13x

Diplexer | 800/900 | Single and Twin Units | Indoor / Outdoor

- Combines the 800 and 900 cellular bands into a single output
- Usable at the BTS or antenna end
- Built in lightning protection on all ports
- Available as single or twin unit, with Auto-Sense or various DC/AISG bypass configurations
- Suitable for indoor or outdoor applications
- Pole or wall mounting
- Available with 7/16-DIN or 4.3/10 female connectors



| Ordering Options | Single Unit | | Twin Unit | |
|------------------|-------------|--------|-----------|--------|
| | 7/16-DIN | 4.3/10 | 7/16-DIN | 4.3/10 |

When ordering replace "x" with correct option for bypass configuration and single or twin unit.

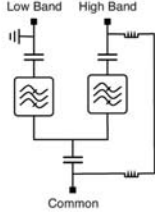
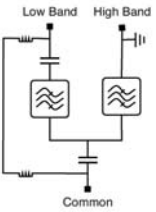
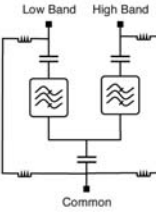
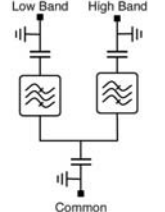
| | | | | |
|--|---------|-------------|----------|--------------|
| With DC/AISG Auto-Sense | DPX-13A | DPX-13A-43F | DPX-13AA | DPX-13AA-43F |
| DC/AISG bypass from common to high band only | DPX-132 | DPX-132-43F | DPX-133 | DPX-133-43F |
| DC/AISG bypass from common to low band | DPX-130 | DPX-130-43F | DPX-131 | DPX-131-43F |
| Full DC/AISG bypass | DPX-134 | DPX-134-43F | DPX-135 | DPX-135-43F |
| No DC/AISG bypass | DPX-136 | DPX-136-43F | DPX-137 | DPX-137-43F |

| Electrical Characteristics | | |
|---|----------------------------|------------------------|
| 800 Channel (Low Band) | | |
| Frequency Band | 791-862 MHz | |
| Insertion Loss | 0.2 dB typical; 0.4 dB max | |
| Return Loss | > 18 dB | |
| Rejection (925-960 MHz) | > 50 dB | |
| Continuous Average Power | 400 W | |
| Intermodulation, 2x43 dBm TX Carrier, IM3 | -117 dBm | |
| 900 Channel (High Band) | | |
| Frequency Band | 880-960 MHz | |
| Insertion Loss | 0.2 dB typical; 0.4 dB max | |
| Return Loss | > 18 dB | |
| Rejection (Low Band) | > 50 dB | |
| Continuous Average Power | 300 W | |
| Intermodulation, 2x43 dBm TX Carrier, IM3 | -117 dBm | |
| General Electrical | Standard Models | Models with Auto-Sense |
| DC Bypass Rating | 3 A | 2 A, drop max 2.4 V |
| AISG Pass | Yes | --- |
| AISG RL | --- | > 12 dB |
| AISG Loss | --- | < 1 dB |
| Lightning Protection | --- | 10 kA 8/20 μ s |
| Input Voltage Power | --- | 8-31 V max 0.3 W |

Quoted performance parameters are provided to offer typical or range values only and may vary as a result of normal manufacturing and operational conditions. Extreme operational conditions and/or stress on structural supports is beyond our control. Such conditions may result in damage to this product. Improvements to product may be made without notice.

DPX-13x

Diplexer | 800/900 | Single and Twin Units | Indoor / Outdoor

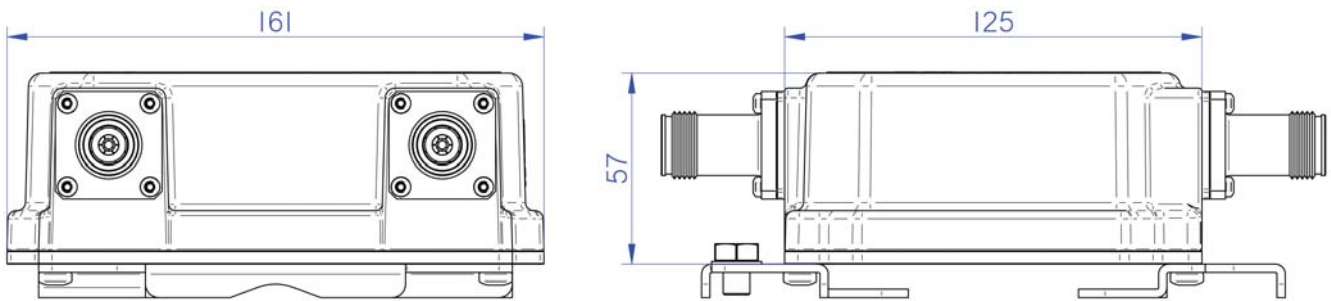
| Environmental | | | |
|--|---|--|---|
| Temperature Range | -40° to +65° C (-40° to 149° F) | | |
| Ingress Protection | IP68 | | |
| Operation Compliance | ETS 300 019-1-4 Class 4.1E | | |
| Storage Compliance | ETS 300 019-1-1 Class 1.2 | | |
| Mechanical Characteristics | Standard Models | Models with Auto-Sense | |
| Finish | Light Grey (NCS 1502-R) | | |
| Connectors | 7/16 Female Long Neck or 4.3/10 Female | | |
| Dimensions - Single Unit (H x W x D) | 125 x 161 x 57 mm (4.9 x 6.3 x 2.2 in) | 125 x 161 x 68 mm (4.9 x 6.3 x 2.7 in) | |
| Weight (Single Unit, Including Brackets) | 2.3 kg (5.1 lbs) | 2.4 kg (5.3 lbs) | |
| Mounting Options | Description | | |
| Pole / Wall Bracket | Two metal clamps for pole mount included | | |
| Block Diagrams | | | |
| <p>DC/AISG Bypass High Band</p>  <p>DPX-132 DPX-133</p> | <p>DC/AISG Bypass Low Band</p>  <p>DPX-130 DPX-131</p> | <p>Full DC/AISG Bypass</p>  <p>DPX-134 DPX-135</p> | <p>No DC/AISG Bypass</p>  <p>DPX-136 DPX-137</p> |

Quoted performance parameters are provided to offer typical or range values only and may vary as a result of normal manufacturing and operational conditions. Extreme operational conditions and/or stress on structural supports is beyond our control. Such conditions may result in damage to this product. Improvements to product may be made without notice.

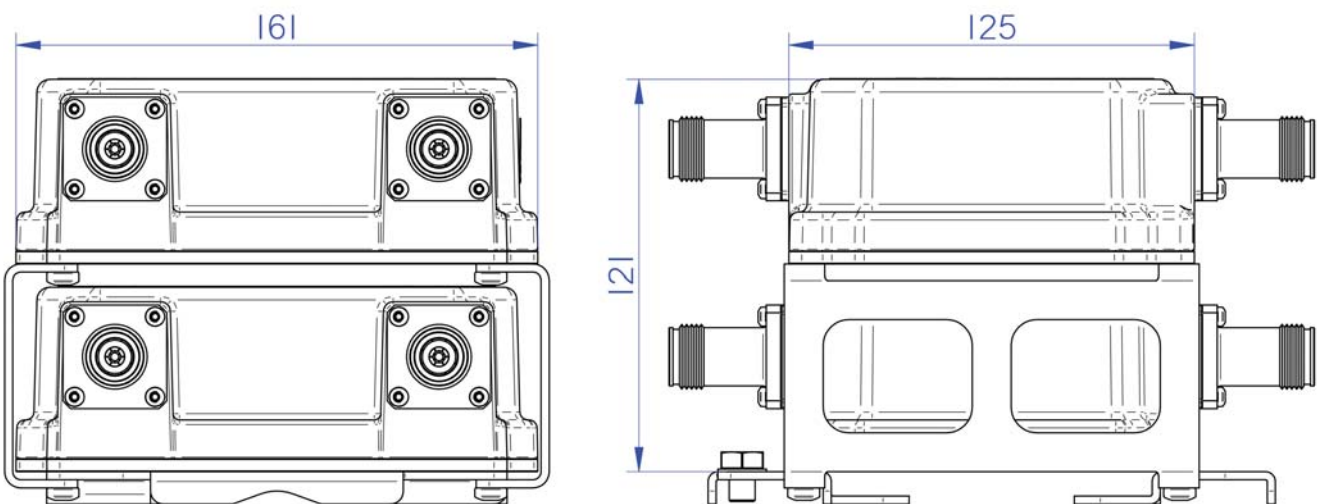
DPX-13x

Diplexer | 800/900 | Single and Twin Units | Indoor / Outdoor

Dimensions - Single Unit with 7/16-DIN Connectors



Dimensions - Twin Unit with 4.3/10 Connectors



Quoted performance parameters are provided to offer typical or range values only and may vary as a result of normal manufacturing and operational conditions. Extreme operational conditions and/or stress on structural supports is beyond our control. Such conditions may result in damage to this product. Improvements to product may be made without notice.