



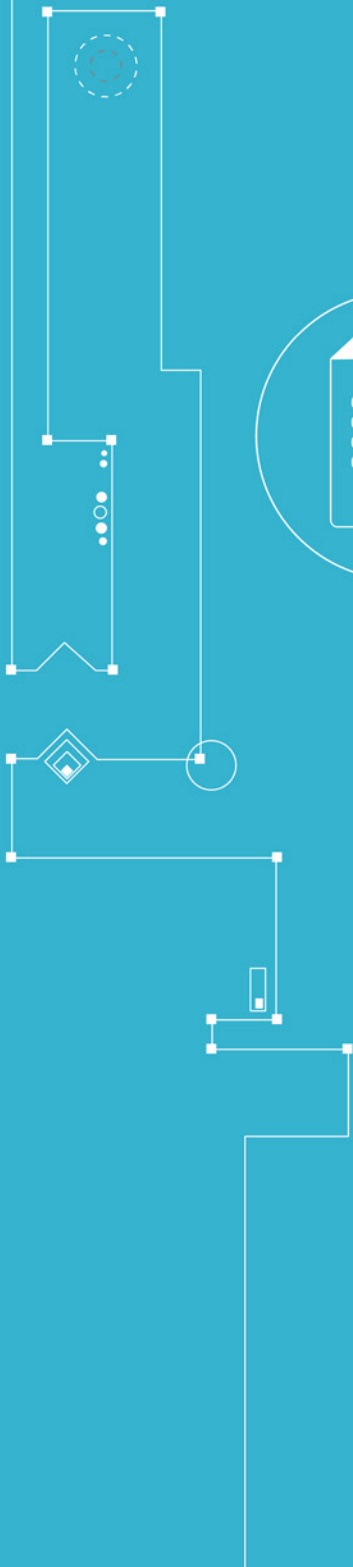
CUBRO
NETWORK VISIBILITY

CUBRO 10/100/1000 COPPER TAP



```
01001011101
00010010001
00100100001
01001001010
```

DATA SHEET



Network TAP

At a glance

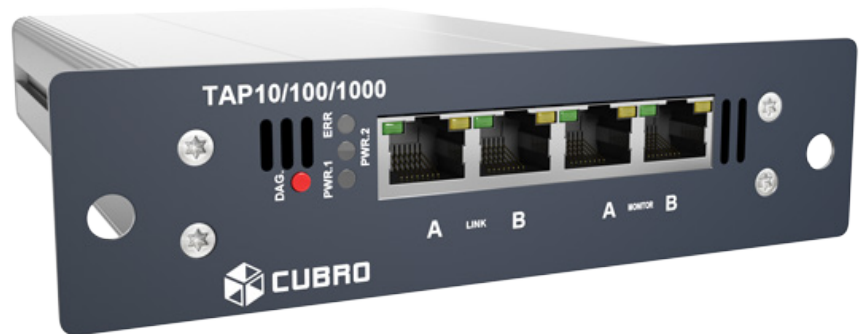
Definition

A network TAP (test access point) is an external monitoring device that mirrors the traffic that passes between two network nodes. A TAP is a hardware device inserted at a specific point in the network to monitor data.

Advantages of Copper TAP

- Provides complete traffic visibility and access to any network connection
- Transparent access
- Transfers all network traffic, including errors to the monitoring tools
- Extra uptime protection makes the TAPs more reliable
- PoE Transparent

Product Review



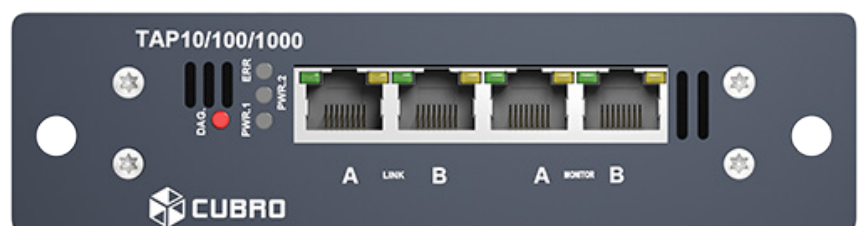
The Cubro 10/100/1000 Copper TAP allows the uninterrupted passage of full duplex data over standard Category 5/6 copper network cable. Featuring auto negotiating between 10Mbps, 100Mbps and 1000Mbps, this TAP duplicates the network signals, including any existing physical errors to the transmit-only monitoring ports.

This advanced 10/100/1000 Copper TAP is a fully new development based on the latest PHY chips. There are some special add-ons available like PoE transparent (PoE = Power over Ethernet)

Functions / Benefits:

The Cubro 10/100/1000 Copper TAP supports fast link recovery to ensure the fastest possible time to re-establish a link after a power down. This time is also related to the link partners and fully predictable.

This Copper TAP also allows to look at the physical details and change some parameters for a faster recovery.



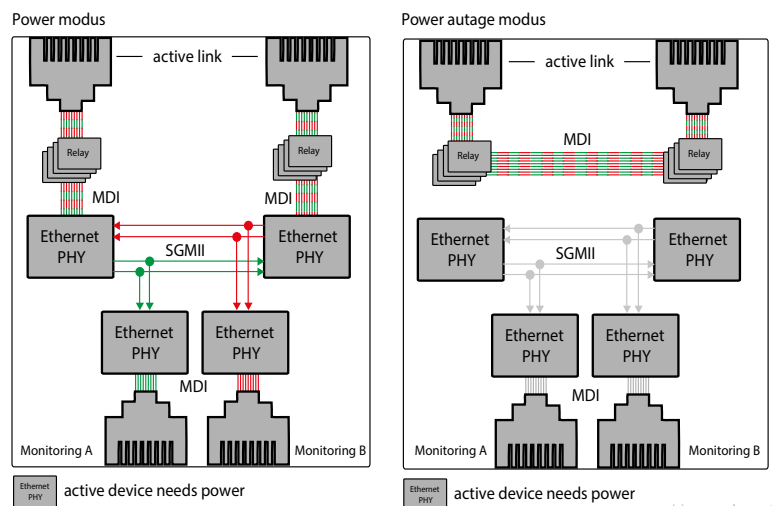
Product Capabilities / Features

Tapping 10/100/1000 Ethernet links	One link to two outputs
Fault Propagation	If the link on the input port is going down, the output ports will follow with a short delay
LED Indicators	Status, link speed
Power	12 V/DC Dual Power Versions
Propagation Delay (In to Out)	< 1 ns
MTBF	674768 hours
Operating Temperature	0 to 55°C
Operating Humidity	80% maximum relative humidity
Physical Dimensions (H x W x D)	3 x 11,2 x 17 cm 1,8 x 4,4 x 6,7 in
Rugged Aluminum Housing	Stable Aluminium Housing with precise connector labeling on front panel. 19" Rack mounting kit also available

Additional Information

A Cubro 10/100/1000 Copper TAP is not a passive device. The illustration shows the function of the copper TAP.

In power mode the relays are open, and the link is connected to a Phy. chip. In the case of power down the relays close and the two-link partners are connected to each other. This is the reason for a little downtime. To avoid this, Cubro offers a small UPS module to power the TAPs during the outage.





01001011101
00010010001
00100100001
01001001010

Ordering Information

Product Type & Number	Description
CBR.TAP-10/100/1000-B-R3	10/100/1000 TAP B Type, 1 Link, 1/3 19" rackmount housing (rackmount kit not included)
CBR.PS-12	Power supply AC/DC 240V AC-85V AC to 12V DC
CBR.RM19-3	Cubro 19" Rackmount Kit for 3x 1/3 19" units

For more information please check our website www.cubro.com.