

N250120-N-L9 and N250120-N-L33

100 Amp, Dual Bus, 15A GMT Fuse Panels



General Information

Westell's comprehensive power distribution solutions ensure reliable power to all site equipment and proper power distribution to guarantee site and equipment safety. The N250120-N-L9 and N250120-N-L33 Fuse Panels provide fused distribution of DC power to equipment. Both panels have twenty 15A GMT fuse positions.

Applications

- Wireless
- Central office
- Co-locate
- Remote sites
- Secondary distribution

Features & Benefits

- 2 isolated groups (busses) of GMT fuses (15 Amps per position max.)
- Polarity insensitive (+/-24 or +/-48 Vdc) battery voltage
- Operates at 200 Amps of output current per panel (100 Amps per Bus)
- Barrier terminal strips for fused outputs and isolated returns (grounds)
- Form C relay contacts are provided to extend alarms
- One set of alarm contacts for each; Bus A, and Bus B Alarm
- 1.75" mounting height (single panel space), rear access
- 3.5" mounting height (double panel space), front access
- Mounting brackets are supplied for 1" & 1-3/4" spacing
- Universal mounting hardware for 19" and 23" racks, with flush and offset mounting options
- NEBS level 3 verified, with zone 4 earthquake
- NRTL Safety Listed



N250120-N-L33 GMT Fuse Panel (pictured)

Product Specifications

Voltage	-/+ 24 or +/-48 Vdc typical -/+ 22 or +/-58 Vdc max.
Fuse Size	60 Vdc, 0.18 to 15 Amps max. 450A @ 60 Vdc IR (Bussmann GMT Type Fuse)
Current/Bus	100 Amps max.
Current/Panel	200 Amps
Output/Fuse	GMT Type Fuse Holders
Output/Bus	10 Fuses (20 per panel)
Input Block	Two 1/4" studs on 5/8" centers Max std lug is 1 AWG Max lug width = 0.710"
Output Block	22 AWG to 10 AWG wire or fork/ring for #6 screw, max. lug width = 0.320"
Alarm Block	0.045" sq wire-wrap pins
Dimensions	1 3/4 H x 17 W x 10 1/2 D - N250120-N-L9 (excluding brackets) 3 1/2 H x 17 W x 6 6/7 D - N250120-N-L33
Rack Mounting	19"/23" Racks 1" and 1-3/4" panel spacing
Weight	Approx. 8 lbs
Operating Temp	-40°C to +60°C (-40°F to 140°F)
Color	Off-white





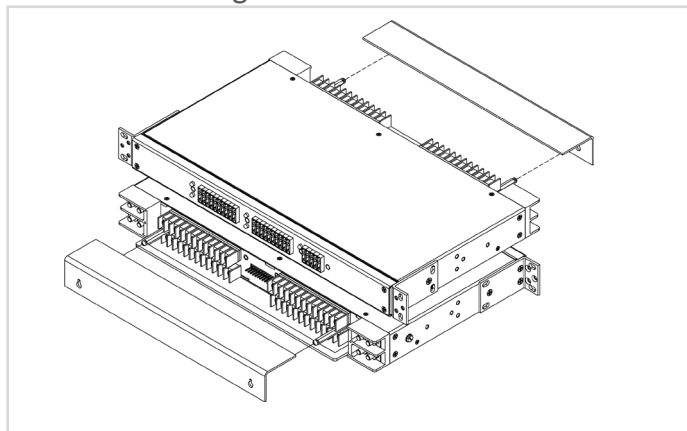
N250120-N-L9 and N250120-N-L33

Ordering Information

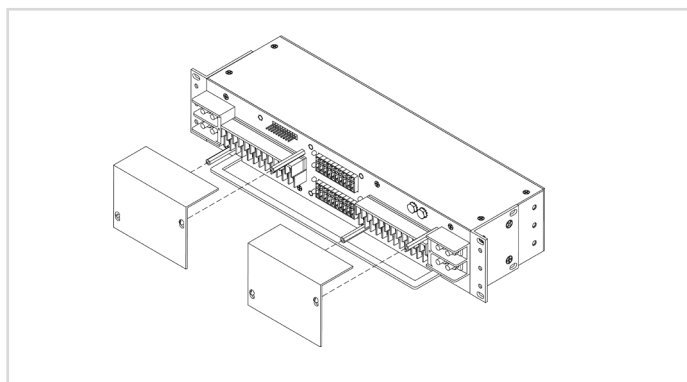
Part Number	Description
N250120-N-L9	10x10 15A, dual bus, GMT fuse panel
N250120-N-L33	10x10 15A, dual bus, GMT fuse panel, total front access

Order breakers or fuses separately. For a complete listing of fuses visit westell.com

Isometric Drawings

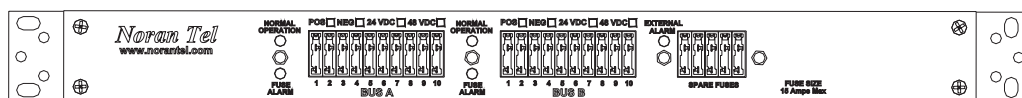


N250120-N-L9

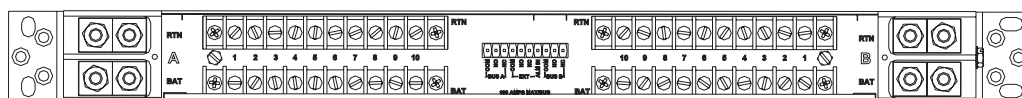


N250120-N-L33

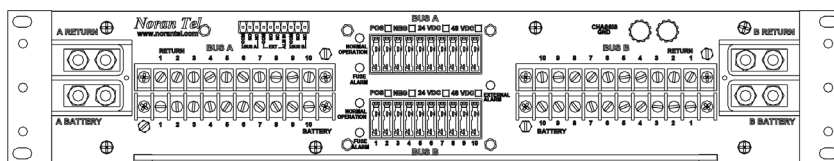
Mechanical Drawings



Front View N250120-N-L9



Rear View N250120-N-L9



Front View N250120-N-L33



WESTELL

WESTELL.COM

Copyright © 2021 by Westell, Inc. All Rights Reserved. Information is correct at time of printing and is subject to change without notice. Westell, Inc. is an Equal Opportunity/Affirmative Action employer.

CNS-N250120-N-L9_L33-PWR-DS-100821

Page 2 of 2