

Pure Lead - Long Life



The NSB RED Battery[®] delivers long life for reliable and unreliable grid conditions.

- Pure lead electrochemistry greatly increases temp and corrosion resistance, while reducing component aging
- Thin plates deliver large surface area, high power density and low resistance
- Design life 15+ years at 20°C (68°F)
- EUROBAT design life definition: Very Long Life (12+ years)
- Fast recharging
- Operating temperature range -40°C to +65°C (-40°F to 149°F)
- State-of-the-art automated manufacturing ensures consistency and reliability
- Shelf life of up to 24 months
- Advanced 3 stage terminal design to ensure leak-free operation - brass terminals provide maximum performance
- High modulus Polyphenylene Oxide (PPO) plastic materials designed to withstand extended elevated operating temperatures and maintain high battery compression essential for reliable operation
- Non-halogenated, thermally sealed plastic casing
- Flame retardant (UL 94 VO) and LOI of at least 28%
- Approved as non-hazardous cargo for ground, sea, and air transport - DOT 49CFR173.159(d), (i) and (ii)

NSB 155FT RED

Technical Specifications

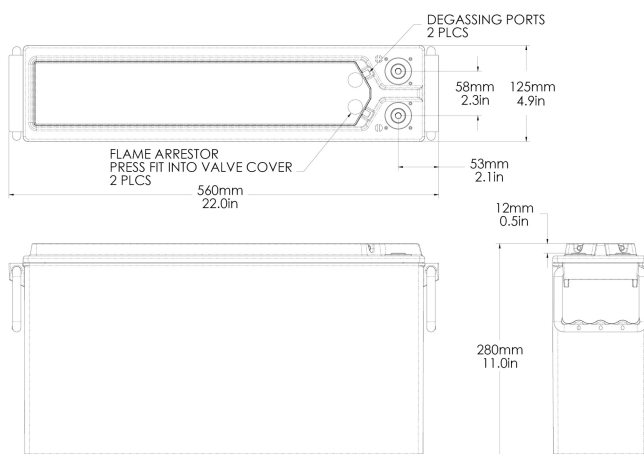
Dimensions (Nominal)

Height	11 in	Width	4.9 in
Length	22 in	Weight	101 lbs

Electrical

Terminal	Female M8 x 1.25
Terminal torque	8.0 Nm (71 in-lbs)
1 hr capacity to 1.70VPC @ 20/25°C (68/77°F)	106 / 110 Ah
3 hr capacity to 1.75VPC @ 20/25°C (68/77°F)	133 / 137 Ah
8 hr capacity to 1.75VPC @ 20/25°C (68/77°F)	150 / 153 Ah
10 hr capacity to 1.80VPC @ 20/25°C (68/77°F)	153 / 155 Ah
Float voltage @ 20/25°C (68/77°F)	2.28 / 2.27 VPC
Impedance (1Khz)	3.1 mΩ @ 25°C (77°F)
Conductance	1648 S
Short circuit current	4200 A
Operation temperature range	-40°C to +65°C
Nominal voltage	12 V

Technical Drawing



All NorthStar batteries are compliant with: Telcordia SR4228, IEC 60896; Bellcore GR-63-Core, Issue 1; British, German, and Russian telecom standards; UL approved and UN2800 certified. NorthStar is registered to ISO 9001 and ISO 14001.