

## 60A Dual-Feed GMT Fuse Panels

Power :: Dual 10/10 or Dual 20/20 Positions; Compact & Lightweight



### Overview

The Amphenol Network Solutions new GMT fuse panels provide reliable low-current power distribution in a highly cost-effective package. Each panel features 60A dual-feed inputs and universal  $\pm 24/-48$  operating voltage to fit in legacy and “next-gen” network applications. Panels handle up to 15A fuses in each position, providing ample capacity for distribution to a broad range of components. Dual 10/10-position and 20/20-position configurations are available.



Fig. 1: 60GMT10 Front View

### Primary Benefits

- Universal voltage ( $\pm 24$  to  $-48$  VDC) enables standardization on a single part number for multiple voltages
- Up to 15A fuses for distribution to a variety of network elements (Note: Order fuses separately)
- GMT fuse holders mounted for downward trip indication – easier identification and detection of blown fuses
- Form C relay contacts provide reliable alarm connections
- Fail alarm LEDs clearly indicate fuse and power failures
- Lever-actuated input connectors provide simple, tool-less termination and maintenance-free connections
- Screw clamp output, ground, and alarm connectors ensure security and reliability
- Essential low-current power distribution functionality in a cost-effective platform

**See more power distribution solutions, additional product documentation and more online at [amphenol-ns.com](http://amphenol-ns.com)**

### Applications

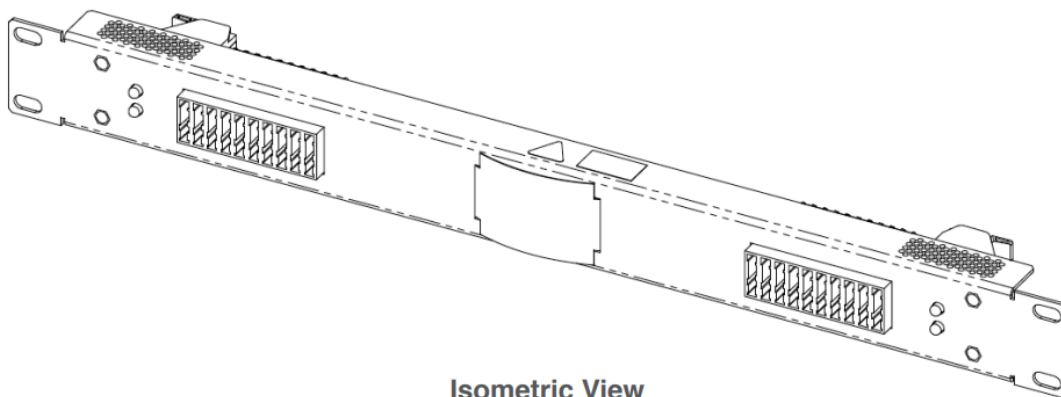
- Wireless
- Central office
- Co-location
- Remote sites
- Secondary distribution

## Specifications

Electrical	
Nominal voltage	± 24V/-48V
Input rating	60A per bus
Max. input interrupt device	75A
Max. output protection device	15A
Power dissipation (full load)	12W per bus
Mechanical	
Dimensions	19" W x 1.75" H x 2" D (432 mm x 45 mm x 51 mm)
Weight	4 lbs (1.8 kg)
Color	White
Finish	Powder coat
Mounting	19" or 23"
Environmental	
Temperature range	-5° to 55°C
Humidity	0 to 90%, non-condensing
Connections	
Input terminals	Pressure clamp, #16 - #6 AWG
Output terminals	Screw clamp, #22 - #16 AWG
Chassis ground	Screw, #8
Alarms	
Alarm indicators	Power, fuse alarms
Alarm type	Form C
Alarm connector	Screw clamp, #22 - #16 AWG
Relay contact ratings	0.6A at 48 VDC; 1A at 120 VAC

## Ordering Information

Description	Part Number
Dual-feed 10/10 panel, white	60GMT10
Dual-feed 20/20 panel, white	60GMT20
<i>Order fuses separately</i>	
Amperage	GMT Fuses
18/100A	130781
1/4A	100151
1/2A	004001
3/4A	004008
1A	100991
1-1/3A	004006
1-1/2A	004011
2A	004002
2-1/2A	130783
3A	004012
3-1/2A	130782
4A	004013
5A	004014
7-1/2A	004010
10A	004015
12A	102287
15A	102288
Additional Items	
Fuse puller	06113-03
Dummy fuse	132748



Isometric View