

Low Current 160Amps/bus DC Breaker Power Distribution Panel



General Information

Westell's power distribution unit, the DCB8X8 (DCB) Low Current DC Breaker Panel, offers a compact 1RU panel for distributing power downstream. The dual 160 Amps bus panel, is a perfect fit for the applications limited on space. With standard Westell panel features like wide operating voltage range and cascading output lugs, this panel exceeds the requirements of today's network.

Product Highlights

- Compact 1-RU rack height
- Pluggable field-replaceable breakers
- 8 position dual bus
- 160 Amps per bus
- Front panel LEDs indicate power and alarm status
- Alarms when breaker is tripped
- -40°C to +70°C
- Fits 19" and 23" racks
- Input cables enter from the side or straight out of the back with 90° lugs
- Output cable exits out the bottom or straight out of the back with 90° lugs

Applications

- Distributed Antenna Systems (DAS)
- Remote Radio Head
- Cell Tower
- Cell Backhaul



A90-DCB8X8-R (DCB8x8) Low Current DC Breaker Panel

Ordering Information

Part Number	Description
A90-DCB8X8-R	Low Current CB Panel, dual bus, 160A/bus, Eight 30A max CB outputs/bus, 1RU high with mounting ears for 19" or 23" rack mounting, front panel LED and rear panel dry contact alarm indication
BR-DCB5-S1	5A Airpax Snapak UL489
BR-DCB-7-5-S1	7.5A Airpax Snapak UL489
BR-DCB10-S1	10A Airpax Snapak UL489
BR-DCB-15-S1	15A Airpax Snapak UL489
BR-DCB20-S1	20A Airpax Snapak UL489
BR-DCB-25-S1	25A Airpax Snapak UL489
BR-DCB30-S1	30A Airpax Snapak UL489

Order breakers separately. For a complete listing visit westell.com





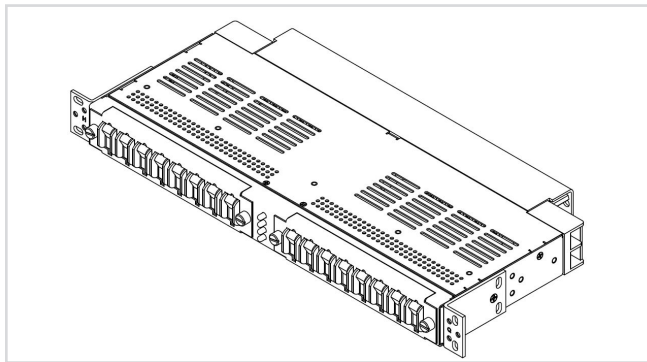
Low Current DCB Panel DCB8X8

Product Specifications

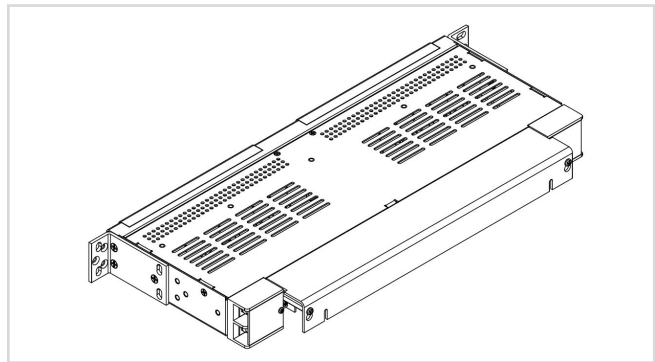
Voltage	+/-12, +/-24 and -48 VDC typical
Breaker Size	30 Amps max
Current/Bus	160 Amps max
Current/Panel	320 Amps
# of Slots/Bus	8 (16 per panel)
Bus Type	Dual Bus (Isolated A & B bus)
Breaker Type	Pluggable field-replaceable
Inputs (A & B)	1/4" studs on 5/8" centers, max. lug width 0.710", up to 1/0 AWG flex wire
Outputs	#8 screw terminal, maximum lug width 0.375", up to 6 AWG with narrow-tongue lug

Alarm Block	#6 screw terminal, maximum lug width 0.320"
Alarm Relay Current	1 Amps/58 VDC max
Dimensions (chassis only, approx.)	1.72" H x 17" W x 11.7" D
Rack Mounting	19" or 23" Racks with 1" & 1-1/4" hole spacing
Weight	7.5 lbs
Operating Temp	-40°C to +70°C (-40°F to +158°F)
Color	Off White

Isometric Drawings

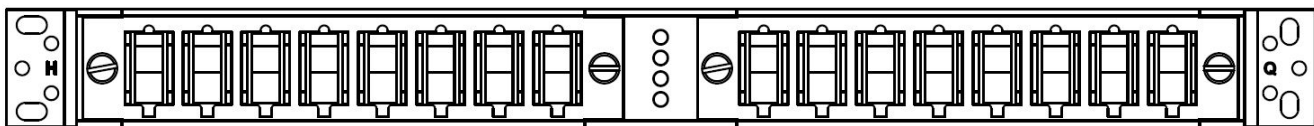


Front View

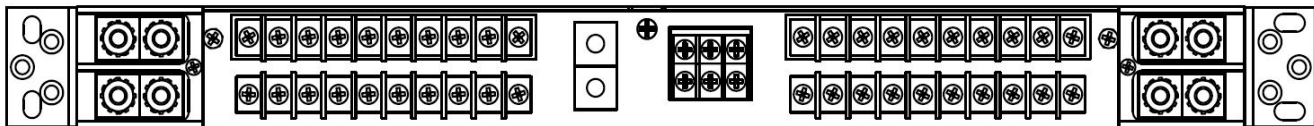


Rear View

Mechanical Drawings



Front View



Rear View

